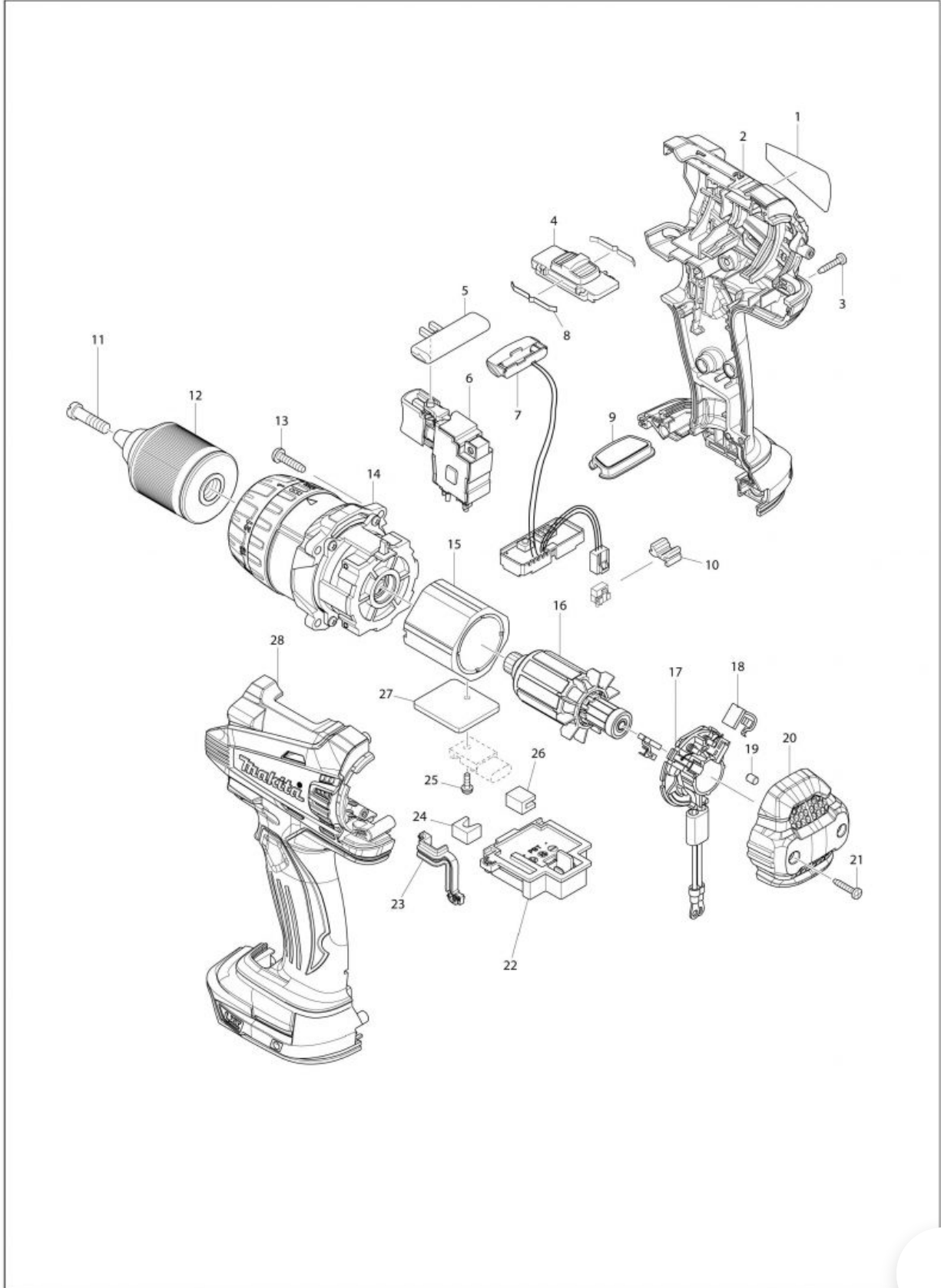


Part Diagram

(MY) DDF458 / CORDLESS DRIVER DRILL



Item	Sub	Parts No.	Parts Description	Qty
001		814Y91-3	DDF458 NAME PLATE	1
002		187430-3	HOUSING SET	1
	C10	263005-3	RUBBER PIN 6	2
	C20	252126-6	HEX. LOCK NUT M4-7	2
	D10		INC. 28	
003		266130-9	TAPPING SCREW BIND PT 3X16	7
004		126100-9	SPEED CHANGE LEVER ASSEMBLY	1
	C10	233438-6	COMPRESSION SPRING 4	2
005		419250-0	F/R CHANGE LEVER	1
006-1		650724-4	SWITCH TG573FSB-3	1
007		620138-1	LIGHT CIRCUIT	1
008		232220-0	LEAF SPRING	2
009		140963-9	SWITCH PLATE COMPLETE	1
010		424476-1	CUSHION	1
011		251468-5	- FLAT HEAD SCREW M6X22	1
012		766015-4	KEYLESS DRILL CHUCK 13	1
012-1		763248-2	KEYLESS DRILL CHUCK 13	1
012-2		763252-1	KEYLESS DRILL CHUCK 13	1
013		265995-6	TAPPING SCREW 4X18	4
013-1		266326-2	TAPPING SCREW 4X18	4
014		126098-0	GEAR ASSEMBLY	1
015		638989-8	YOKE UNIT	1
016		619301-1	ARMATURE	1
016-1		619496-0	ARMATURE	1
017		638614-1	BRUSH HOLDER COMPLETE	1
017-1		632K62-2	BRUSH HOLDER COMPLETE	1
018		194427-5	CARBON BRUSH SET CB-440	1
019		263032-0	RUBBER PIN 4	2
020		453394-6	REAR COVER	1
021		266130-9	TAPPING SCREW BIND PT 3X16	2
022		644808-8	TERMINAL	1
023		424430-5	SEAL	1
024		423422-1	SPONGE A	1
025		911013-5	PAN HEAD SCREW M3X10	1
026		423423-9	SPONGE B	1
027		689176-2	HEAT SINK	1
028		187430-3	HOUSING SET	1
	C10	263005-3	RUBBER PIN 6	2
	C20	252126-6	HEX. LOCK NUT M4-7	2
	D10		INC. 2	
A01-1		123258-5	GRIP ASSEMBLY	1
	C10	154935-8	GRIP 36 COMPLETE	1
	C20	266899-5	SQUARE BOLT M8X140	1
	C30	346566-9	GRIP SPRING 60	1
	C40	455189-3	GRIP BASE 60	1
A02		251314-2	+ SCREW M4X12	2
A03		346317-0	HOOK	1
A04		452947-8	BIT HOLDER	1
A05		784637-8	+ BIT 2-45	2
A06A		***DC18RC	DC18RC FAST CHARGER	1
A06C		***DC18RC	DC18RC FAST CHARGER	1
A06D		***DC18RC	DC18RC FAST CHARGER	1
A07A		194204-5	BATTERY BL1830 SET	3
A07C		196399-0	BATTERY BL1840 SET	2
A07-1A		194204-5	BATTERY BL1830 SET	1
A07-1C		196399-0	BATTERY BL1840 SET	1
A07-2A		197600-6	BATTERY BL1830B SET	1
A07-2C		197265-4	BATTERY BL1840B SET	2

Item	Sub	Parts No.	Parts Description	Qty
A07-2D		197600-6	BATTERY BL1830B SET	2
A07-3A		197600-6	BATTERY BL1830B SET	3
A07-3C		197265-4	BATTERY BL1840B SET	2
A07-3D		197600-6	BATTERY BL1830B SET	2
A08A		450128-8	BATTERY COVER	2
A08C		450128-8	BATTERY COVER	1
A08D		450128-8	BATTERY COVER	1
A09A		821524-1	PLASTIC CARRYING CASE	1
	C10	162302-3	LATCH	2
	C20	325809-2	SHAFT	1
	C30	451749-9	HANDLE	1
	C40	453473-0	PLASTIC CASE LID	1
A09C		821524-1	PLASTIC CARRYING CASE	1
	C10	162302-3	LATCH	2
	C20	325809-2	SHAFT	1
	C30	451749-9	HANDLE	1
	C40	453473-0	PLASTIC CASE LID	1
A09D		821524-1	PLASTIC CARRYING CASE	1
	C10	162302-3	LATCH	2
	C20	325809-2	SHAFT	1
	C30	451749-9	HANDLE	1
	C40	453473-0	PLASTIC CASE LID	1
A10A		802J93-1	DDF458RFE3 PLASTIC CASE LABEL	2
A10C		802J86-8	DDF458RME PLASTIC CASE LABEL	2
A10D		802J89-2	DDF458RFE PLASTIC CASE LABEL	2